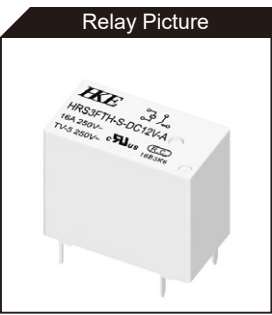
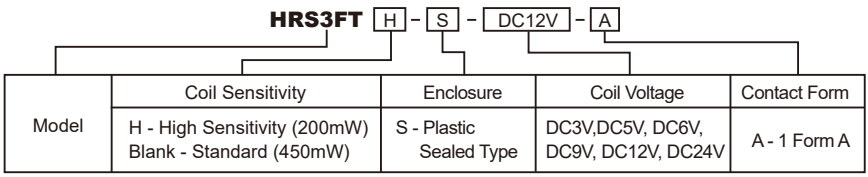




Features	
▪	Microminiature relay Dimensions: 18.2×10.2×15.5(mm)
▪	16A switching capacity
▪	Contact: 1 Form A
▪	Reinforced insulation between coil and contact
▪	Dielectric strength of 4000V between coil and contacts
▪	TV-5 rating
Safety Approval	
	NO.CQC12002076143
	NO.50223752
	US NO.E164730



ORDERING INFORMATION



Remarks: Regular type venting hole unsealed(Flux proofed)

SPECIFICATION

CONTACT DATA

Contact Form	1 Form A	
Contact Material	Ag Alloy	
Contact Rating	Resistive: 16A 250VAC TV-5 250VAC	
Contact Resistance	Max. 100mΩ(6VDC 1A)	
Load	Max. Switching Voltage	250VAC/30VDC
	Max. Switching Current	16A
	Max. Switching Power	4000VA, 480W
	Min. Switching Load	5VDC, 100mA
Life	Electrical	50,000 operations
	Mechanical	1,000,000 operations

Insulation Resistance		Min. 1000MΩ 500VDC
Dielectric Strength	Between open contacts	1,000VAC, 1min
	Between coil and contacts	4,000VAC, 1min
Operate Time		Max. 10ms
Release Time		Max. 5ms
Operating Temperature		-40°C to +85°C
Humidity		35~95%RH, +40°C
Shock Resistance	Endurance	1,000m/s ²
	Misoperation	100m/s ²
Vibration Resistance	Endurance	10~55Hz, 1.5mm double amplitude
	Misoperation	10~55Hz, 1.5mm double amplitude
Weight		Approximately 6.0g

Note: Data shown are of initial value

COIL DATA

Nominal Coil Power	200mW, 450mW
--------------------	--------------

SAFETY APPROVAL

File Number	Contact Form	Power Consumption	Coil Voltage	Contact Rating	Remarks
UL E164730	A	0.45W/0.2W	5V,6V,9V,12V,24V	16A 250VAC GP	Ambient Temperature: 85°C
	A	0.45W/0.2W	5V,6V,9V,12V,24V	TV-5 250VAC	Ambient Temperature: 40°C
TUV 50223752	A	0.45W/0.2W	3V,5V,6V,9V,12V,24V	16A 250VAC Res	Ambient Temperature: 85°C
CQC 12002076143 (GB/T 21711.1-2008)	A	0.45W/0.2W	3V,5V,6V,9V,12V,24V	16A 250VAC Res	Ambient Temperature: 85°C

Specifications subject to change without notice

ISO9001, IATF16949, ISO14001 Approved

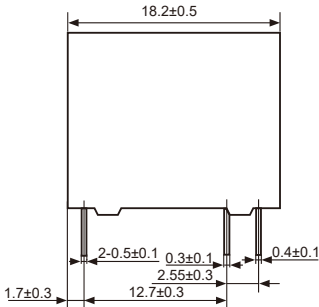
COIL DATA

Ambient Temperature: 23°C

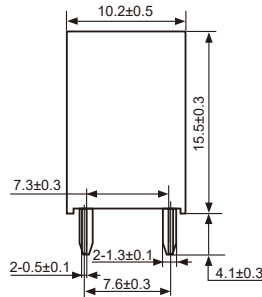
Model	Nominal Voltage VDC	Coil Resistance Ω +/-10%	Operate Voltage \leq VDC	Release Voltage \geq VDC	Coil Power mW
HRS3FT-S-DC3V-A	3	20.0	2.1	0.3	450
HRS3FT-S-DC5V-A	5	55.6	3.5	0.5	
HRS3FT-S-DC6V-A	6	80	4.2	0.6	
HRS3FT-S-DC9V-A	9	180	6.3	0.9	
HRS3FT-S-DC12V-A	12	320	8.4	1.2	
HRS3FT-S-DC24V-A	24	1280	16.8	2.4	
HRS3FTH-S-DC3V-A	3	45.0	2.25	0.3	200
HRS3FTH-S-DC5V-A	5	125	3.75	0.5	
HRS3FTH-S-DC6V-A	6	180	4.5	0.6	
HRS3FTH-S-DC9V-A	9	405	6.75	0.9	
HRS3FTH-S-DC12V-A	12	720	9.0	1.2	
HRS3FTH-S-DC24V-A	24	2880	18.0	2.4	

OUTLINE, WIRING DIAGRAM, MOUNTING HOLE LAYOUT (UNIT: mm)

Outline



Mounting Hole Layout
(Bottom View)



Wiring Diagram
(Bottom View)

